

GEA is seeking bids on the following items:

- 1: Any site prep that needs to be performed at locations in order to pour concrete foundations
- 2: Concrete foundation for 11.5 ft by 16 ft shelter
- 3: Concrete foundation for 13 ft by 7 ft generator pad
- 4: Work must be completed at four sites (approximate foundation sites will be marked with white paint)

- | | | |
|----|---------------------|-----------------------------|
| 1. | Albany Substation | 98 Reed Road |
| 2. | Mohawk Substation | 315 North Mohawk Road |
| 3. | Skinner's Crossroad | 5487 McDonald Road |
| 4. | Timber Ridge Sub | 1835 Old Kentucky Road West |

Please contact Nathan Brown at 423 588 8189 to set up a time to visit sites if needed.

**Skinner's Crossroad Site needs to be completed by the middle of February and all remaining sites need to be completed by April 1, 2025.

Building specs:

Pad must be 11.5 ft by 16 ft and square

Pad needs to be 4 inches above existing grade

A 12 inch by 18 inch footer should be around the outside edge of the pad, remaining pad can be a minimum of 4 inches deep

All concrete must be reinforced with ½ rebar every 24 inches

4 - 4 inch conduits will be installed in slab and the ends marked on the outside of pad. (conduit and 90 degree sweeps will be provided by GEA)

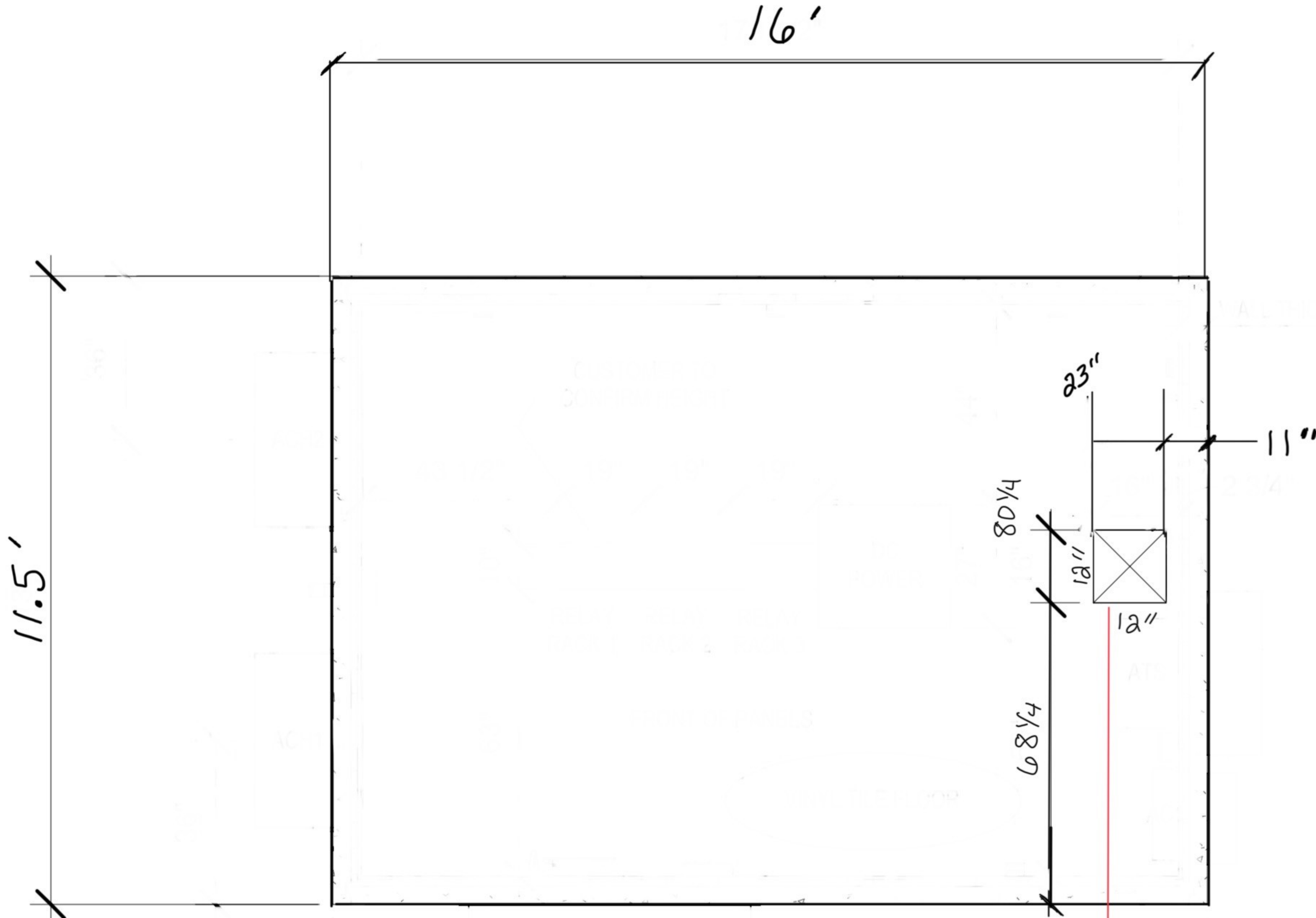
Generator Pad

Pad must be 13 ft by 7 ft

Pad may be a min 2 inches and max 6 inches above existing grade

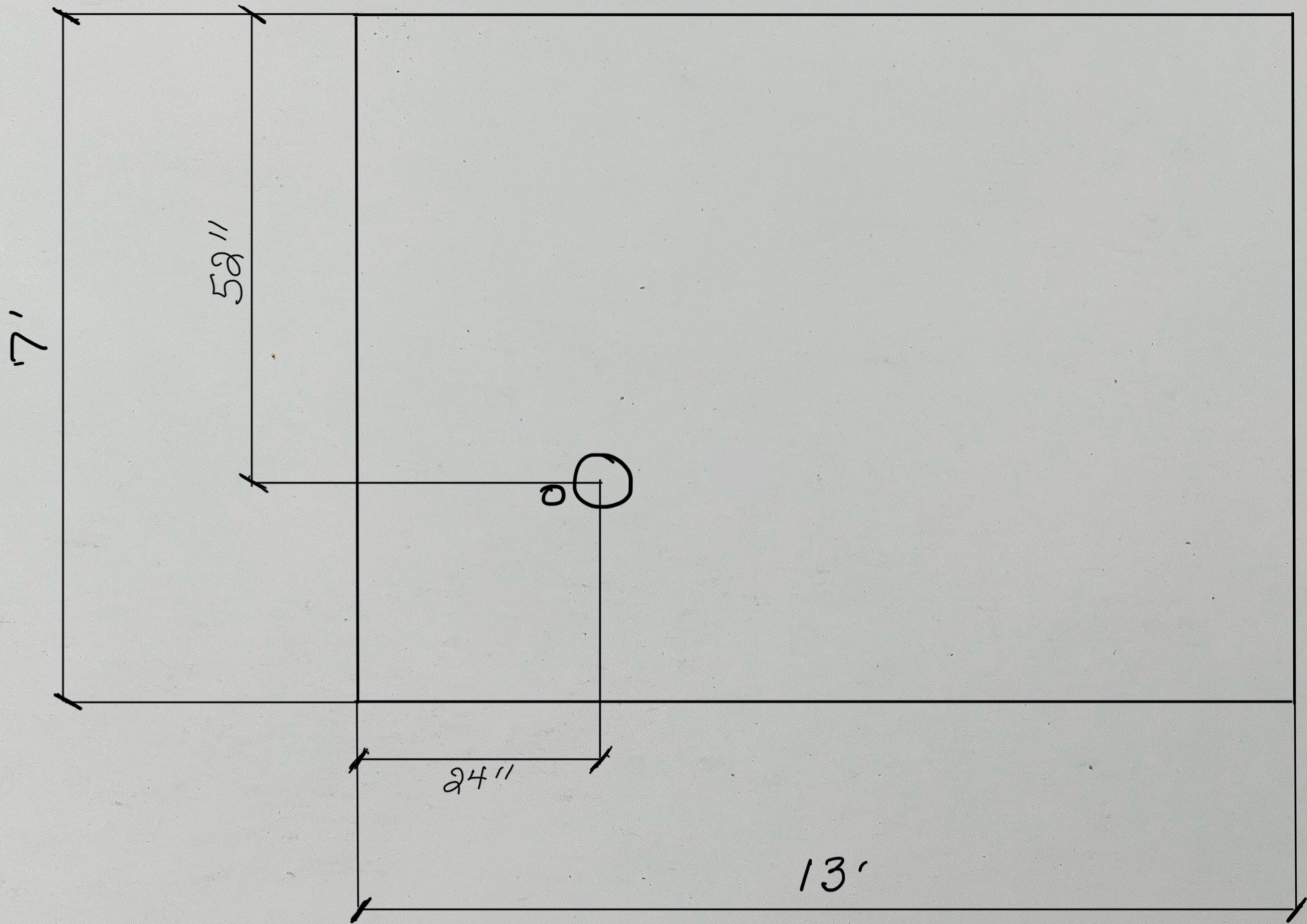
Pad must be 12 inches deep and reinforced with ½ rebar every 24 inches

1 – 4 inch conduit and 1 – 1 inch conduit will be installed in slab and the ends marked on the outside of pad. (conduit and 90 degree sweeps will be provided by GEA)

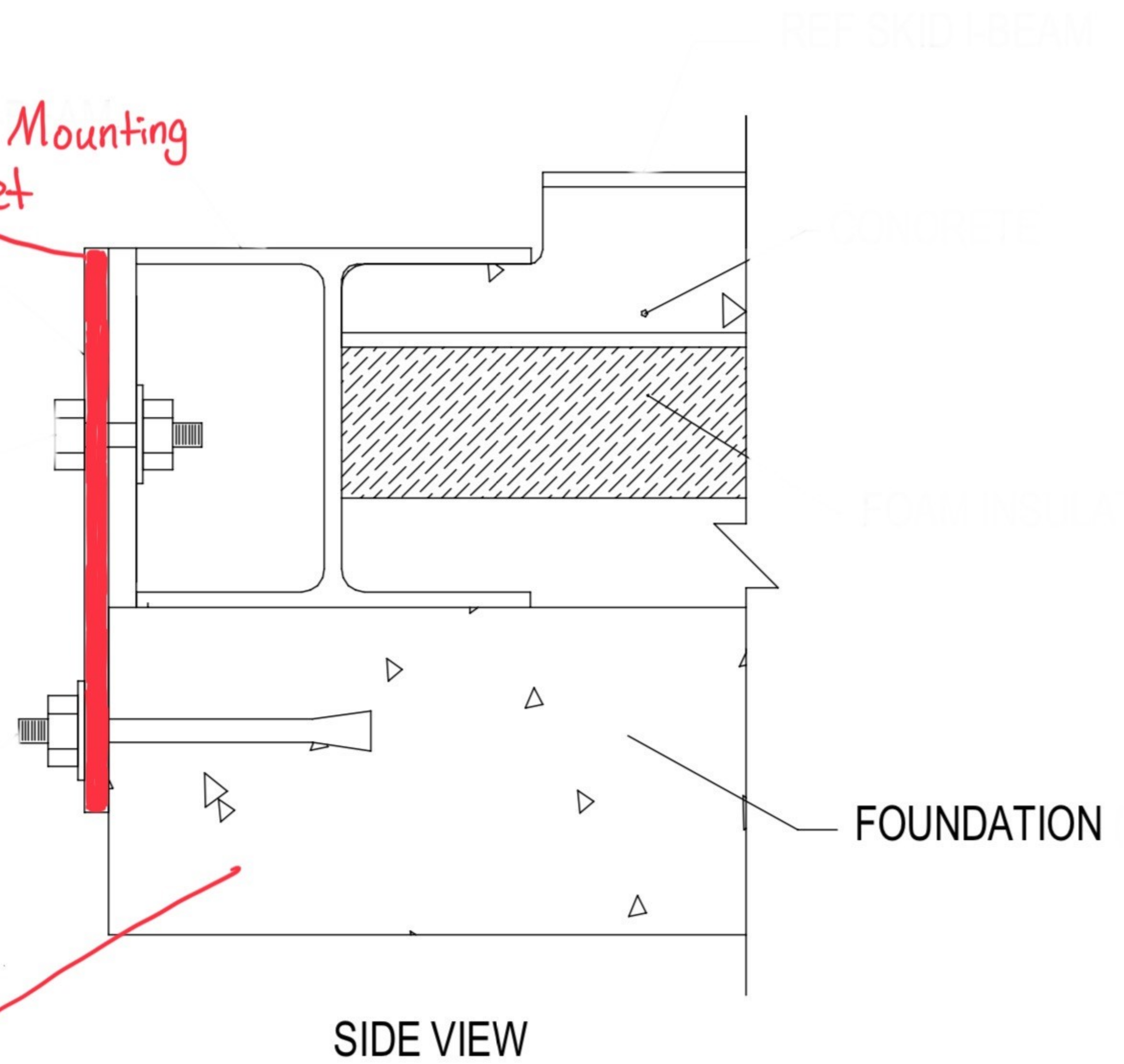


4- 4inch conduits must be equally spaced within this 12x12 opening. 12" min. of conduit must extend above pad.

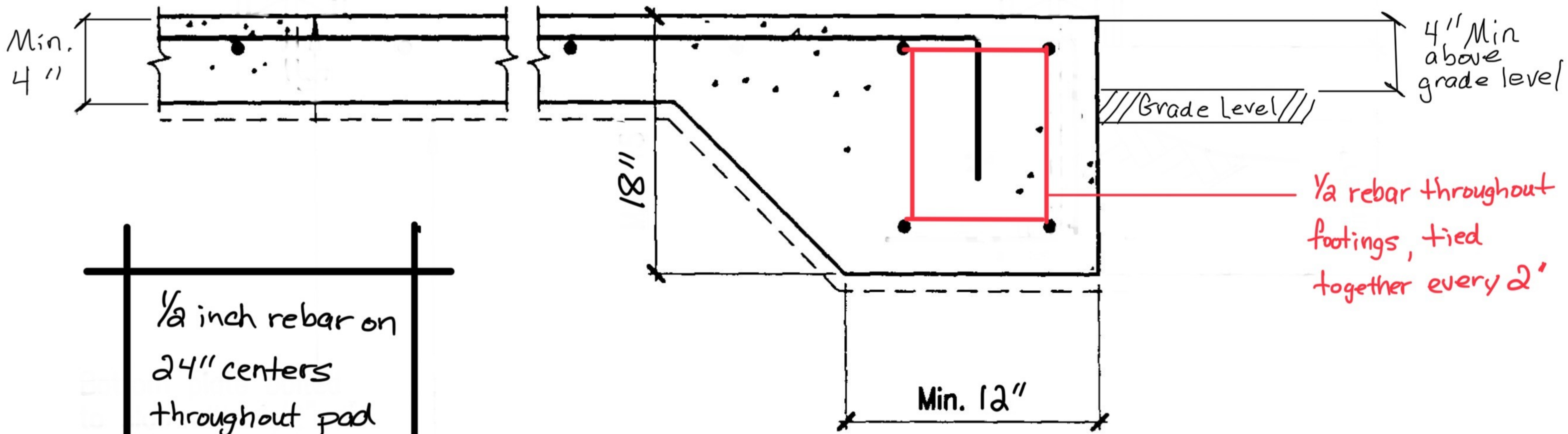
Generator Pad



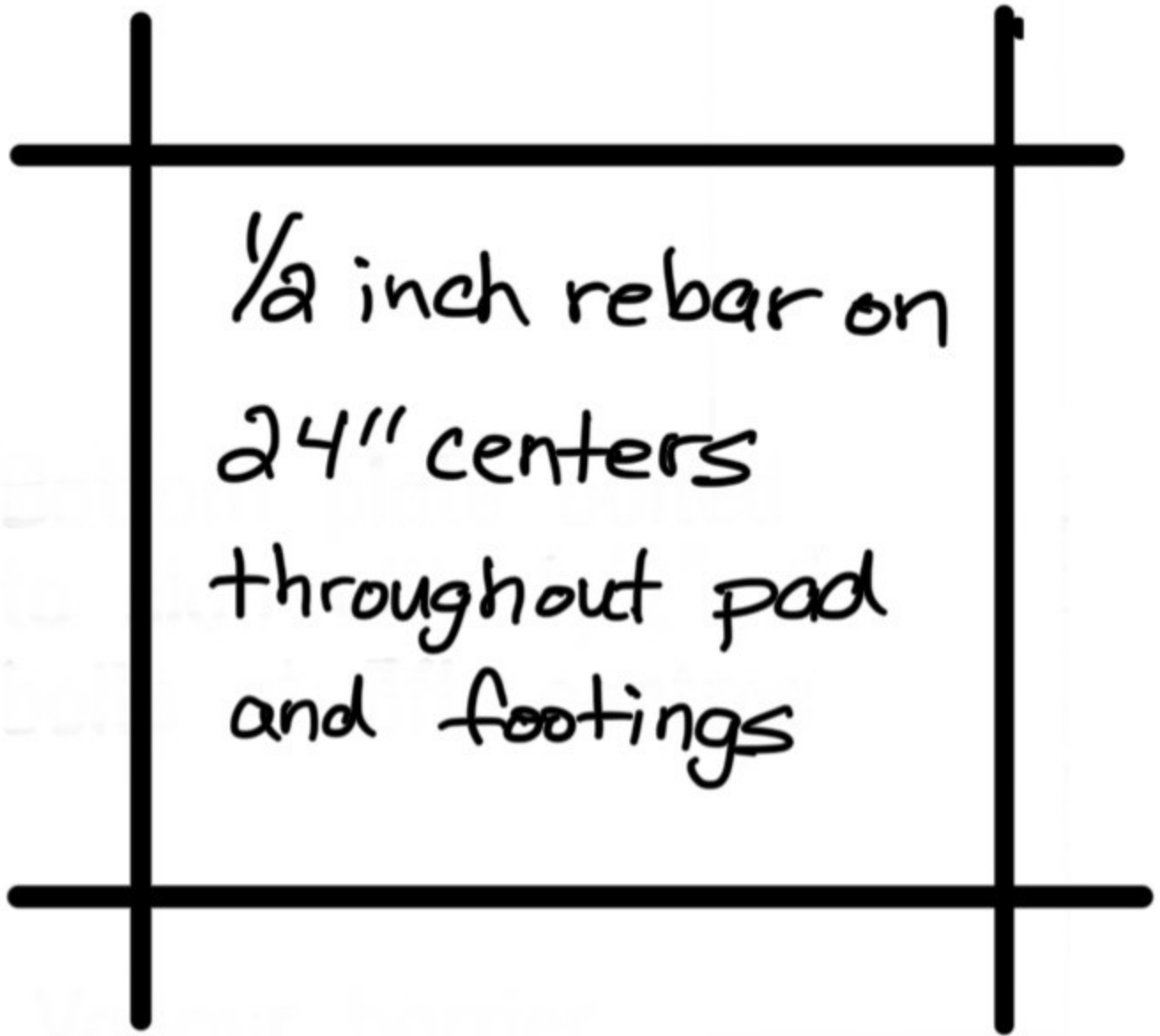
Foundation Mounting
Bracket



Concrete pad must be exactly
11.5 by 16 and perfectly
square for the shelter to
be attached to the
foundation.



1/2 rebar throughout footings, tied together every 2'



1/2 inch rebar on 24" centers throughout pad and footings